

Type 4X Fiberglass Enclosures

Pushbutton Enclosures Type 4X Multi-Hole 30 mm Data Sheet



Application

- Designed to mount standard oil-tight pushbuttons, pilot lights, and switches
- Intended for indoor or outdoor use
- Ideally suited for harsh environments
- Protects against corrosion, windblown dust and rain, splashing water, hose directed water, and prolonged submersion

Standards

- UL/cUL 50 Listed, Type 1, Type 3, Type 4X, Type 6P, Type 12
- Conforms to NEMA Standard for Type 1, Type 3, Type 4X, Type 6P, Type 12
- CSA 22.2, Type 1, Type 3, Type 4X, Type 6P, Type 12
- Temperature Range: -40°F to 250°F (-40°C to 120°C)
- Flammability Rating: UL94-5V
- Self Extinguishing: Non-flame propagating
- Chemical Resistance: (see chart, pages 458 - 461)

Finish

- Gray color

Accessories

- Back Panels (page 290)
- See accessories (pages 292 - 293)

Construction

- Enclosures are an impact resistant, non-conductive, light-weight hot compression molded fiberglass reinforced polyester
- Poured polyurethane seamless gasket provides watertight, dust-tight environmental seal
- Captive screws provide smooth surfaces
- Secure mounting of pushbutton in non-rotatable notched key hole
- 300 series stainless steel used on all external hardware
- Integral flange molded in place for ease of mounting
- Integral mounting bosses utilize threaded brass inserts accepting #10-32 screws for mounting optional panel
- Rounded edges reduce build-up of dust and debris
- Full metal grounding strap is provided
- Stainless steel beaded chain for securing cover after lift off

Discount Schedule: F2

Subclass: G00

Notes: Cooper B-Line can provide special modifications. Consult the factory for your special requirements.

Type 4X Fiberglass Enclosures

Pushbutton Enclosures Type 4X Multi-Hole 30 mm Illustration Sheet and Catalog Number

Enclosure Catalog #	Overall Dimensions H x W x D		Inside Dimensions A x B x C		E		F		Hole Dia.		Panel No.
	in.	mm	in.	mm	in.	mm	in.	mm	in.	mm	
PB4F	7.50 x 7.50 x 4.75	191 x 191 x 121	5.72 x 5.72 x 4.45	145 x 145 x 113	6.75	171	4.00	101	0.31	8	AW66__
PB6F	9.62 x 7.50 x 4.74	244 x 191 x 121	7.73 x 5.74 x 4.45	196 x 146 x 113	8.88	225	4.00	101	0.31	8	AW86__
PB9F	11.62 x 9.41 x 4.25	295 x 239 x 108	9.73 x 7.73 x 3.98	247 x 196 x 101	10.75	273	6.00	152	0.31	8	AW108__

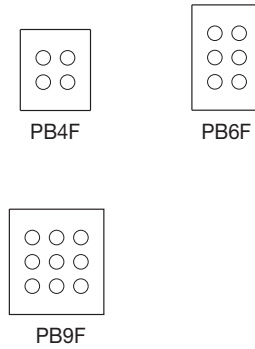
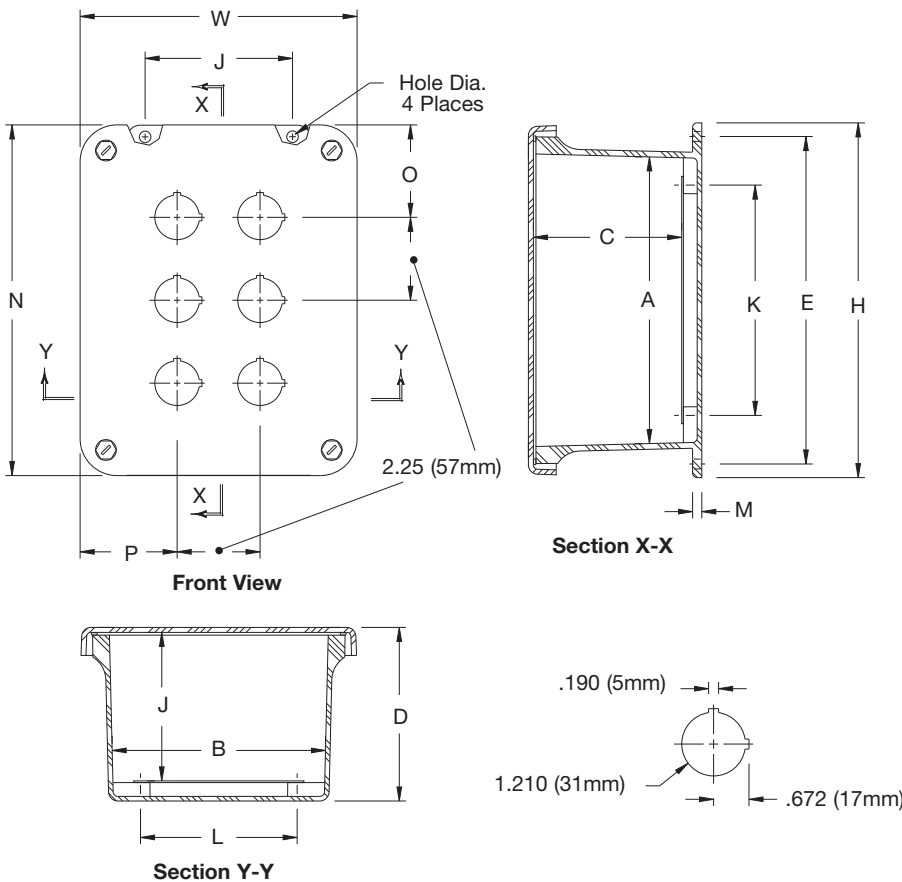
Enclosure Catalog #	Dimensions													
	J		K		L		M		N		O		P	
	in.	mm	in.	mm	in.	mm	in.	mm	in.	mm	in.	mm	in.	mm
PB4F	4.00	101	4.25	108	4.25	108	0.25	6	7.52	191	2.64	67	2.64	67
PB6F	4.00	101	6.25	159	4.25	108	0.25	6	9.50	242	2.64	67	2.51	64
PB9F	3.50	89	8.25	209	6.25	159	0.25	6	11.35	288	3.43	87	2.45	62

Panel Finishes

Example: AW108__

Insert for __

P = Carbon Steel
SP = Stainless Steel
AP = Aluminum



Notes: Dimensions are in inches. Millimeters shown are for reference only. Data subject to change without notice.